

FENDER "DELUXE REVERB-AMP AB 763" SCHEMATIC NOTICE

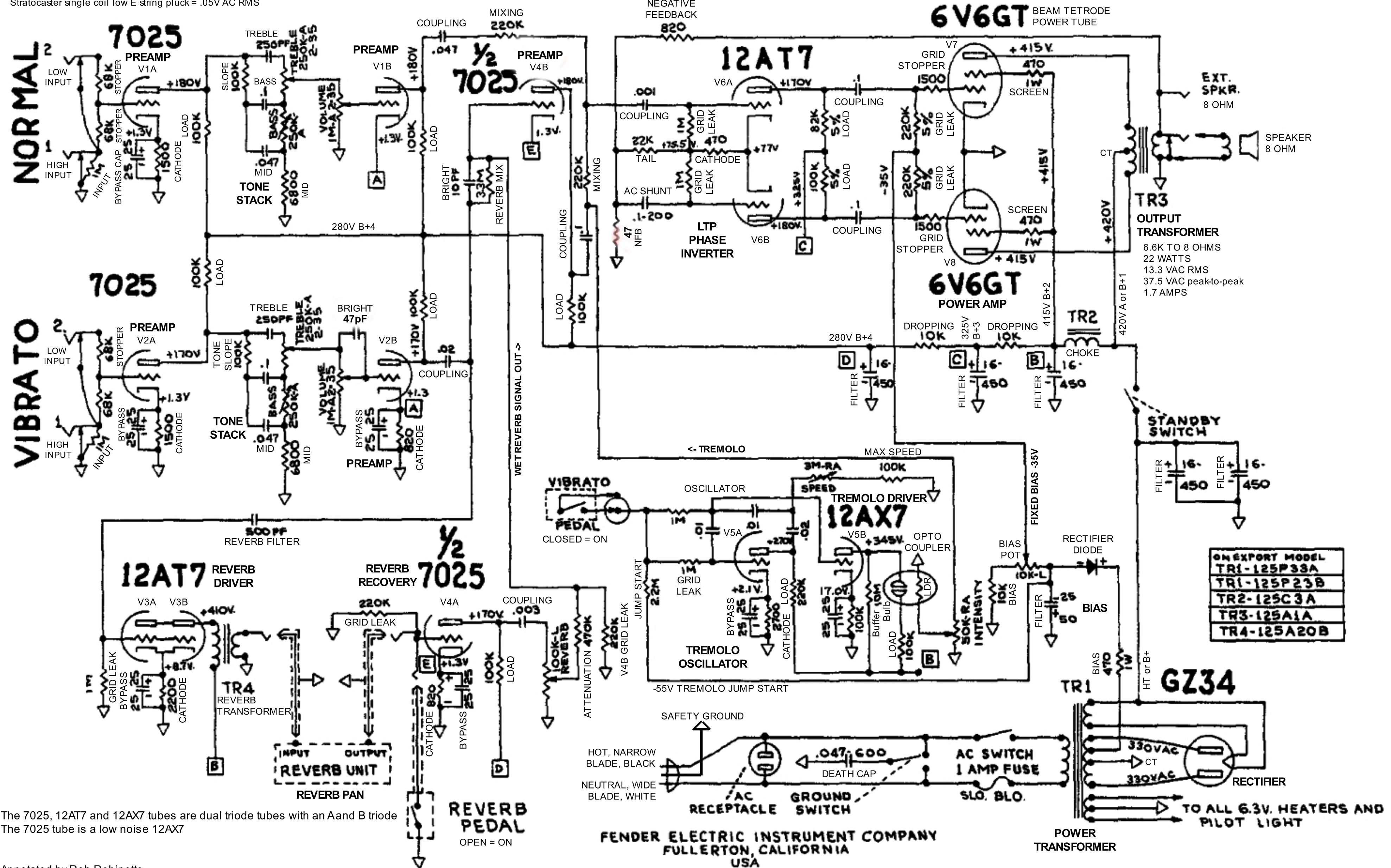
"BLACKFACE"

THIS PRODUCT MANUFACTURED UNDER ONE OR MORE OF THE FOLLOWING U.S. PATENTS
 CIRCUIT PATENT # 2817708, # 2973681
 DESIGN PATENT # 192859

C- FD

- 1 - VOLTAGES READ TO GROUND WITH ELECTRONIC VOLT METER VALUES SHOWN + OR - 20%
- 2 - ALL RESISTORS 1/2 WATT 10% TOLERANCE IF NOT SPECIFIED
- 3 - ALL CAPACITORS AT LEAST 400VOLT RATING IF NOT SPECIFIED

Signal in from guitar is very low voltage AC
 Stratocaster single coil low E string pluck = .05V AC RMS



The 7025, 12AT7 and 12AX7 tubes are dual triode tubes with an A and B triode
 The 7025 tube is a low noise 12AX7

Annotated by Rob Robinette