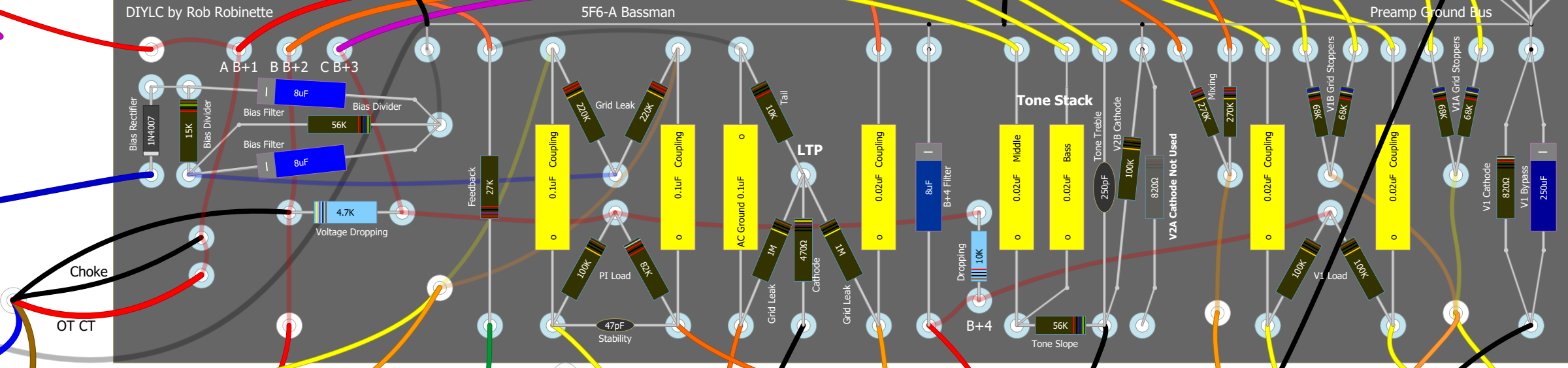
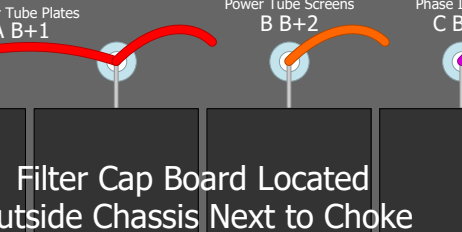
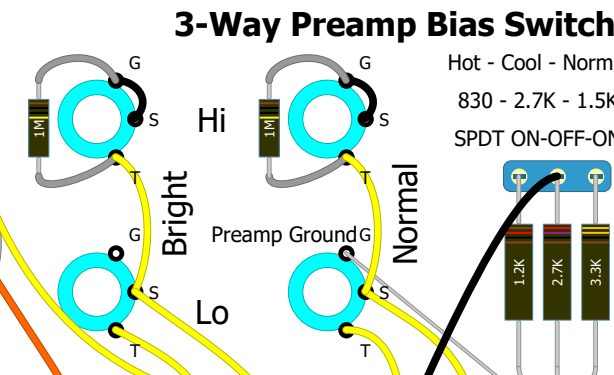
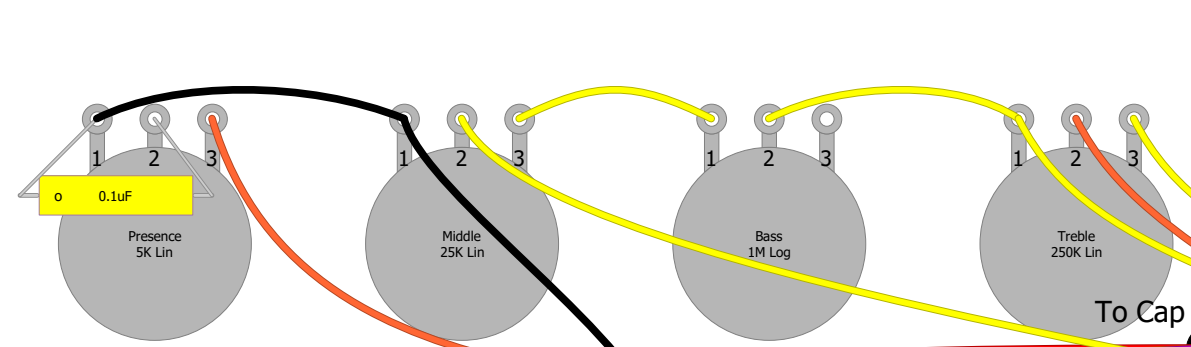
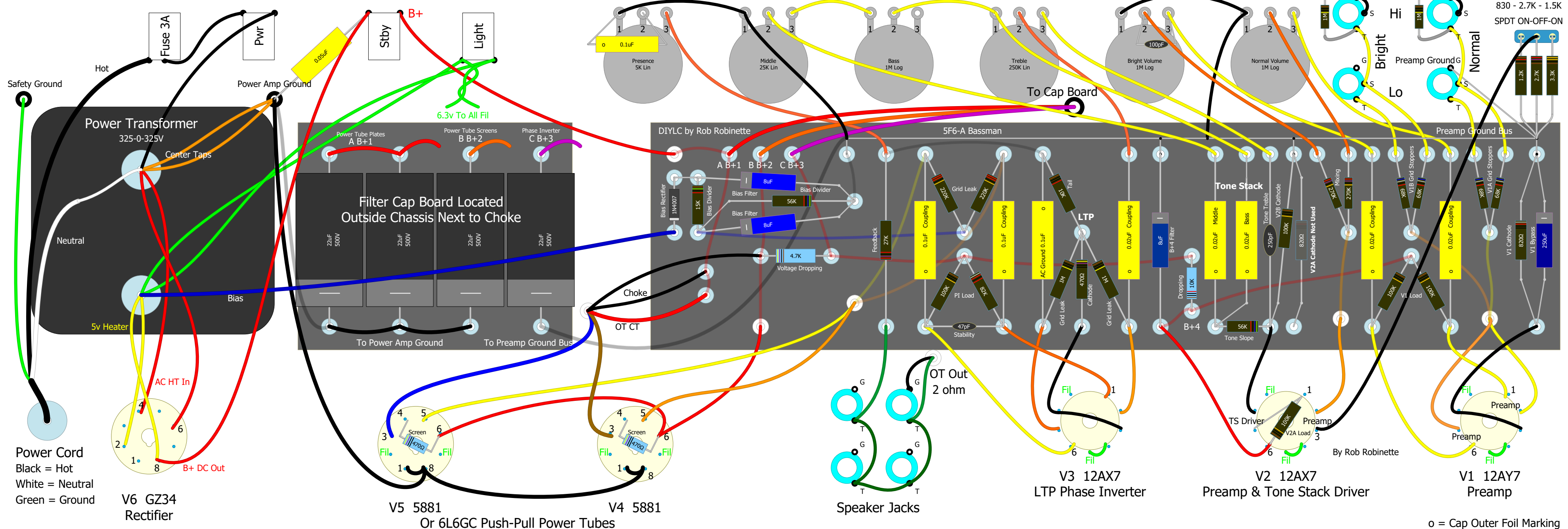


5F6-A "Bassman" Amplifier



Power Cord
Black = Hot
White = Neutral
Green = Ground

V6 GZ34
Rectifier

V5 5881
Or 6L6GC Push-Pull Power Tubes

V4 5881

Speaker Jacks

V3 12AX7
LTP Phase Inverter

V2 12AX7
Preamp & Tone Stack Driver

V1 12AY7
Preamp

o = Cap Outer Foil Marking