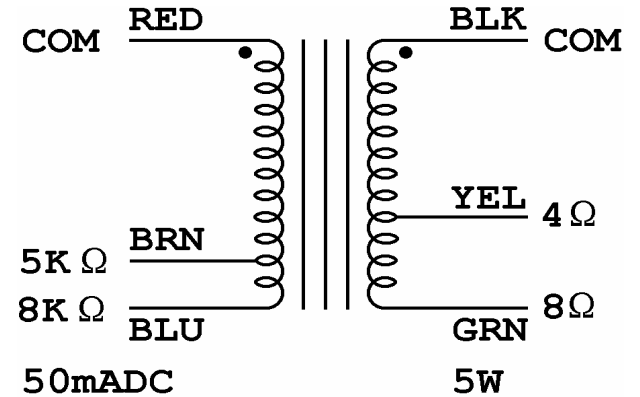
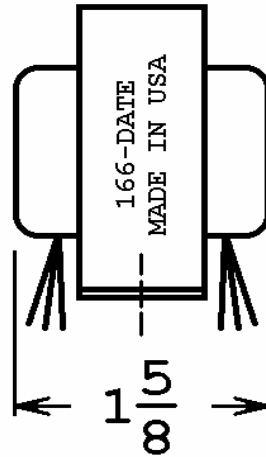
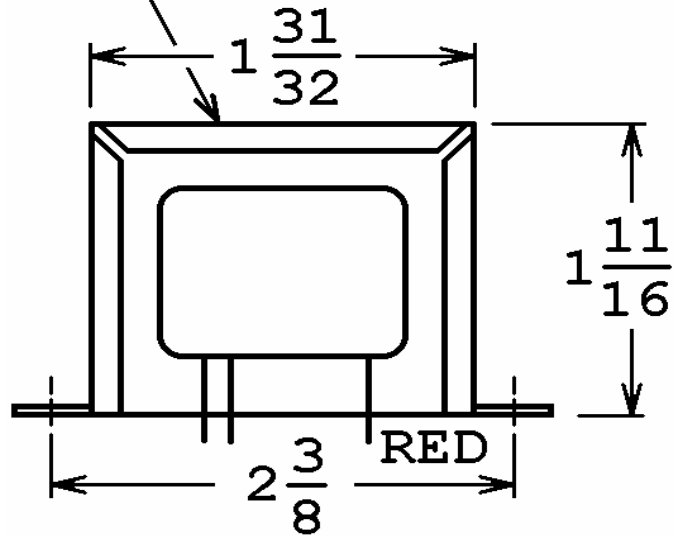


40-18030

This drawing is the property of Magnetic Components, Inc. and shall not be reproduced, in whole or in part, without the written permission of Magnetic Components, Inc.

| REVISIONS | | | |
|-----------|-----------------------------------------|----------|-------------|
| LTR | DESCRIPTION | DATE | APPROVED |
| A | DEL TRU-TONE MARKING | 05/04/09 | M. Sacketti |
| B | ADD ClassicTone, PROPRIETARY NOTE | 01/08/10 | M. Sacketti |
| C | 1-31/32 WAS 1-15/16. 1-11/16 WAS 1-5/8. | 06/10/10 | M. Sacketti |

ClassicTone™
By Magnetic Components, Inc.
40-18030



| | | | | | | | | | | |
|--------------------------------------------------|--|----------------------------|--|-----------|--|---------------------------|-------|-------------------|-----------------|----------|
| UNLESS OTHERWISE SPECIFIED | | SIGNATURES | | DATE | | MAGNETIC COMPONENTS, INC. | | DIV : | | |
| ALL DIMENSIONS IN INCHES DO NOT SCALE DRAWING | | DRAWN : <i>M. Sacketti</i> | | 29 APR 09 | | TITLE | | LOC : SCHILLER PK | | |
| FRACTIONS +/- | | CHECK : | | | | 5W SINGLE-ENDED OUTPUT | | | | |
| .X = +/- | | APPR : <i>M. Sacketti</i> | | 29 APR 09 | | CAGE | 50508 | SIZE | PART No. | REV |
| .XX = +/- | | | | | | SCALE | NONE | A | 40-18030 | C |
| .XXX = +/- | | | | | | | | | | SHEET : |
| ANGLES = +/- | | | | | | | | | | |