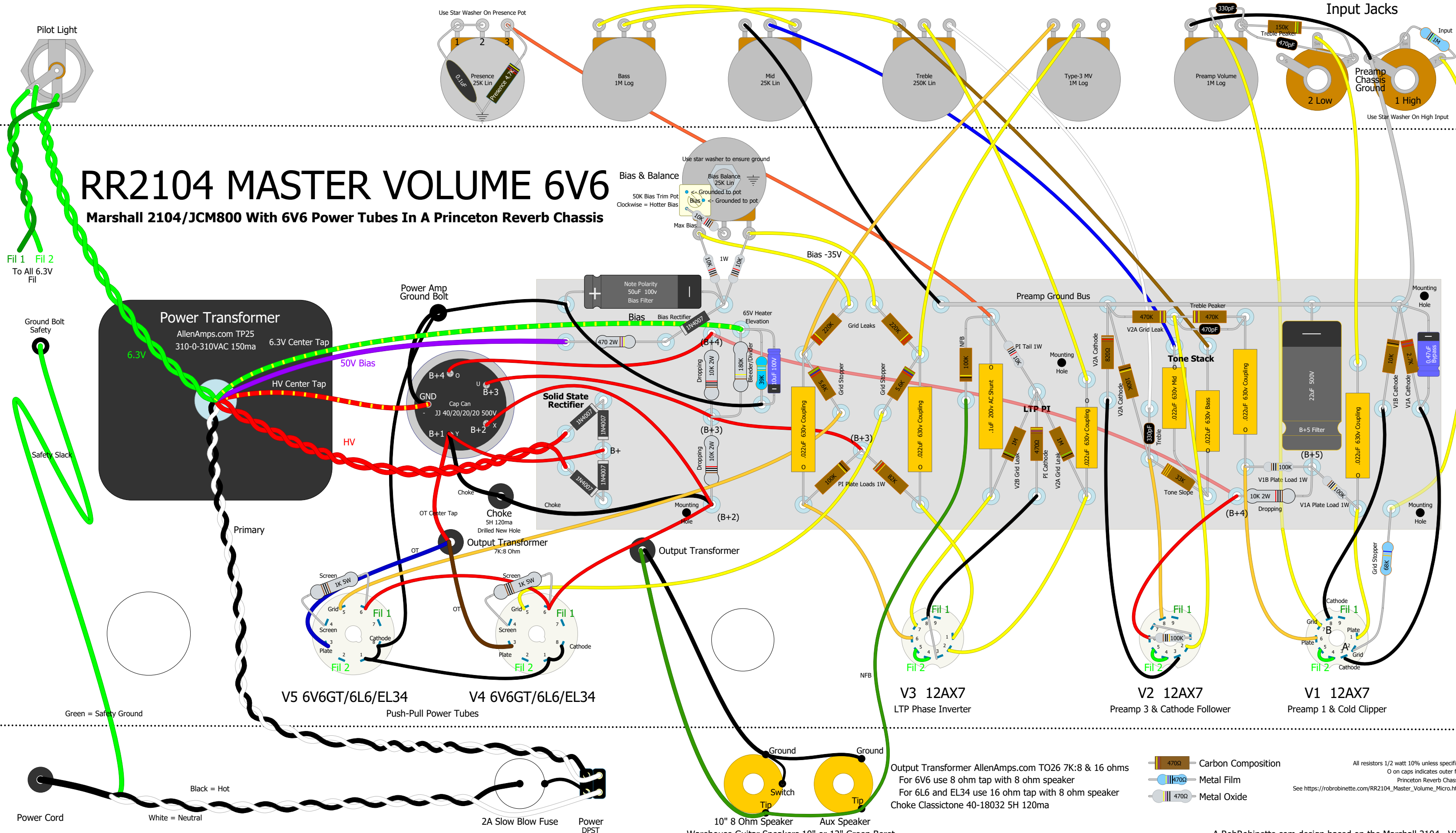


RR2104 MASTER VOLUME 6V6

Marshall 2104/JCM800 With 6V6 Power Tubes In A Princeton Reverb Chassis



Fil 1 Fil 2
To All 6.3V
Fil

Ground Bolt
Safety

Safety Slack

Power Transformer

AllenAmps.com TP25
310-0-310VAC 150ma
6.3V Center Tap

6.3V

HV Center Tap

Primary

Power Amp
Ground Bolt

50V Bias

HV

Choke

Choke
5H 120ma
Drilled New Hole

Output Transformer
7K:8 Ohm

Output Transformer

V5 6V6GT/6L6/EL34

Push-Pull Power Tubes

V4 6V6GT/6L6/EL34

V3 12AX7

LTP Phase Inverter

V2 12AX7

Preamp 3 & Cathode Follower

V1 12AX7

Preamp 1 & Cold Clipper

Power Cord

White = Neutral

Black = Hot

2A Slow Blow Fuse

Power
DPST

10" 8 Ohm Speaker

Aux Speaker

Warehouse Guitar Speakers 10" or 12" Green Beret

Output Transformer AllenAmps.com TO26 7K:8 & 16 ohms
For 6V6 use 8 ohm tap with 8 ohm speaker
For 6L6 and EL34 use 16 ohm tap with 8 ohm speaker
Choke Classitone 40-18032 5H 120ma

- 470Ω Carbon Composition
- 470Ω Metal Film
- 470Ω Metal Oxide

All resistors 1/2 watt 10% unless specified
O on caps indicates outer foil
Princeton Reverb Chassis
See https://robrobinette.com/RR2104_Master_Volume_Micro.htm