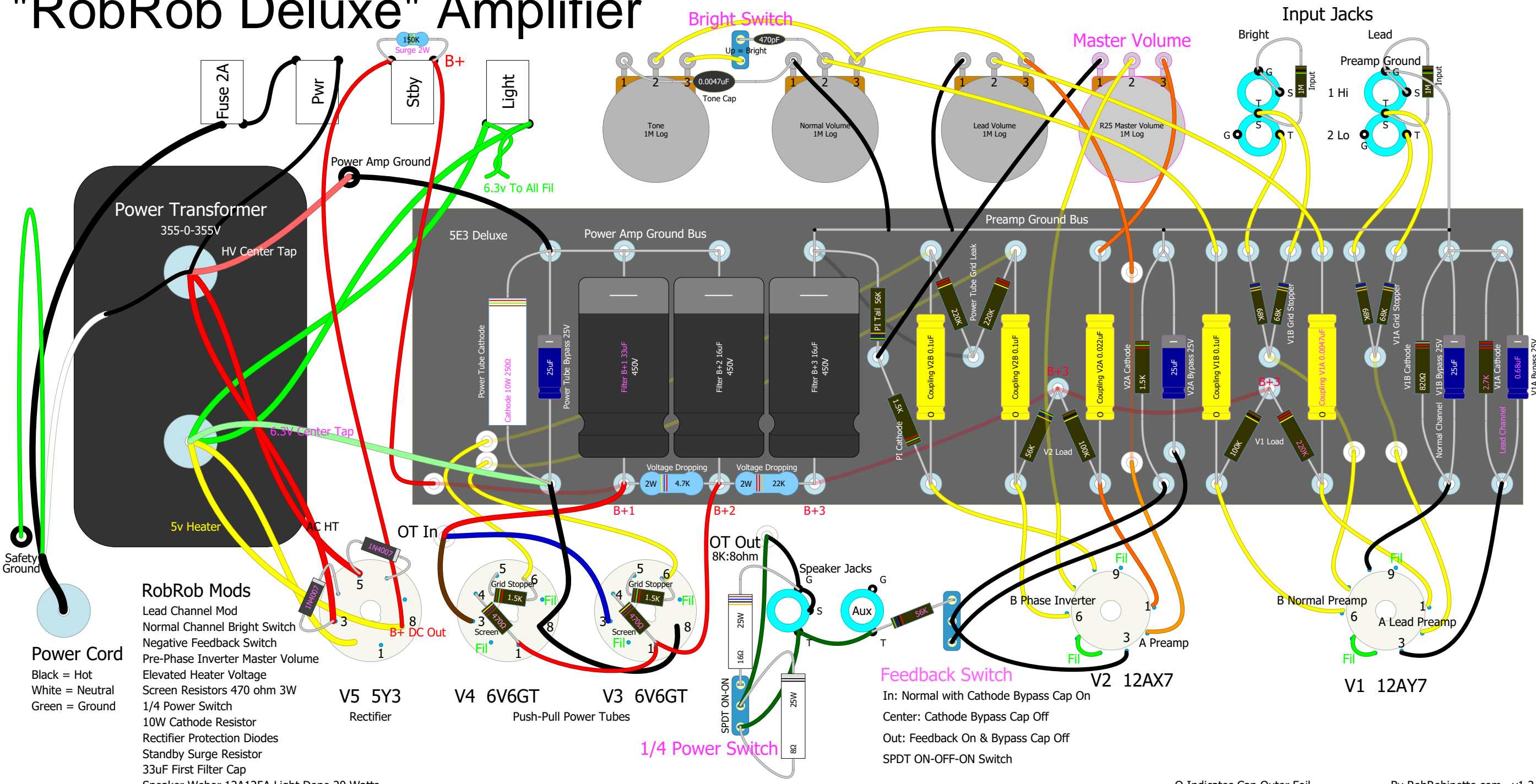


# "RobRob Deluxe" Amplifier



**Power Cord**  
 Black = Hot  
 White = Neutral  
 Green = Ground

- RobRob Mods**
- Lead Channel Mod
  - Normal Channel Bright Switch
  - Negative Feedback Switch
  - Pre-Phase Inverter Master Volume
  - Elevated Heater Voltage
  - Screen Resistors 470 ohm 3W
  - 1/4 Power Switch
  - 10W Cathode Resistor
  - Rectifier Protection Diodes
  - Standby Surge Resistor
  - 33uF First Filter Cap
  - Speaker Weber 12A125A Light Dope 20 Watts

**V5 5Y3**  
Rectifier

**V4 6V6GT**  
Push-Pull Power Tubes

**V3 6V6GT**  
Push-Pull Power Tubes

**V2 12AX7**  
Preamp

**V1 12AY7**  
Preamp