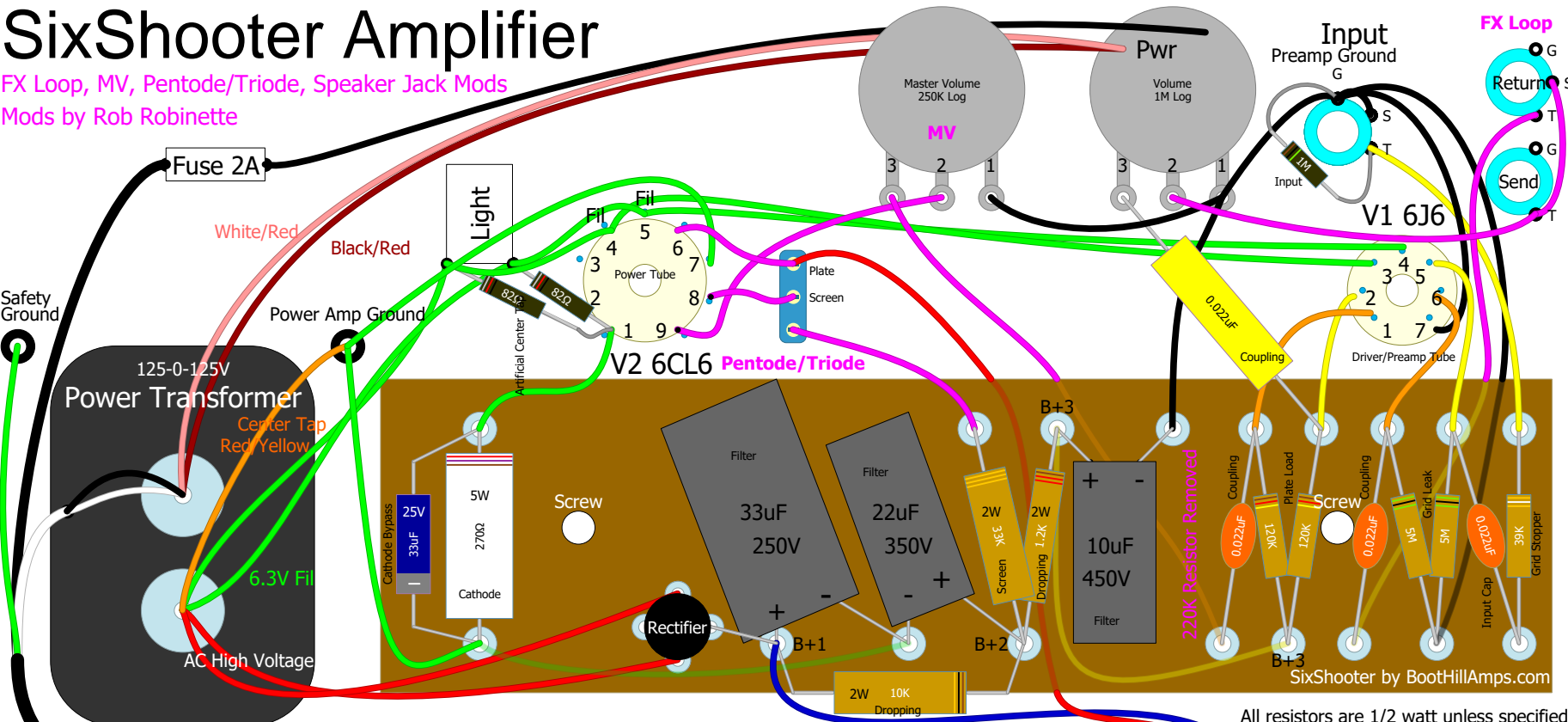


# SixShooter Amplifier

FX Loop, MV, Pentode/Triode, Speaker Jack Mods

Mods by Rob Robinette



**Power Cord 120V US/Canada**  
 Black = Hot  
 White = Neutral  
 Green = Ground

**Power Transformer Connections**  
 White wire + Black wire to Neutral  
 White/Red + Black/Red to Power Switch  
 Red/Yellow to Ground

All resistors are 1/2 watt unless specified

Output Transformer

Speaker

Drawn by Rob Robinette

Kit available at BoothHillAmps.com