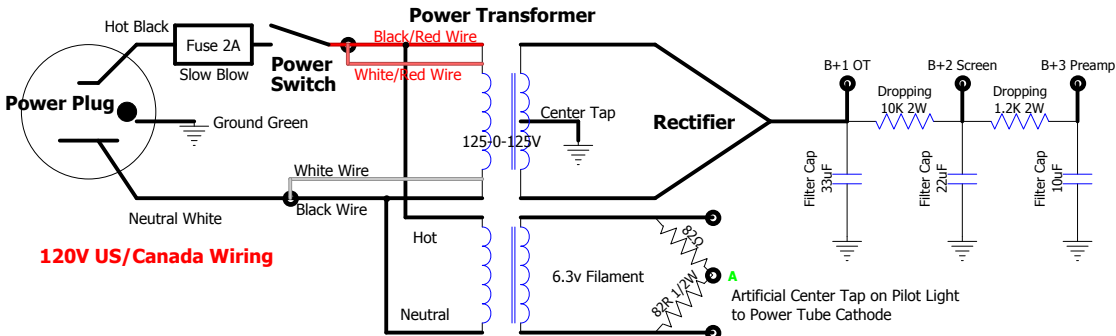
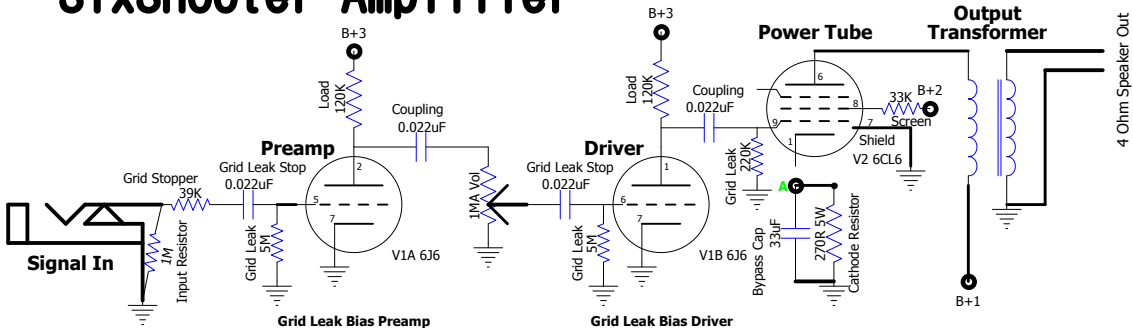


SixShooter Amplifier



All resistors are 1/2 watt unless specified.

Design by BoothHillAmps.com drawn by Rob Robinette