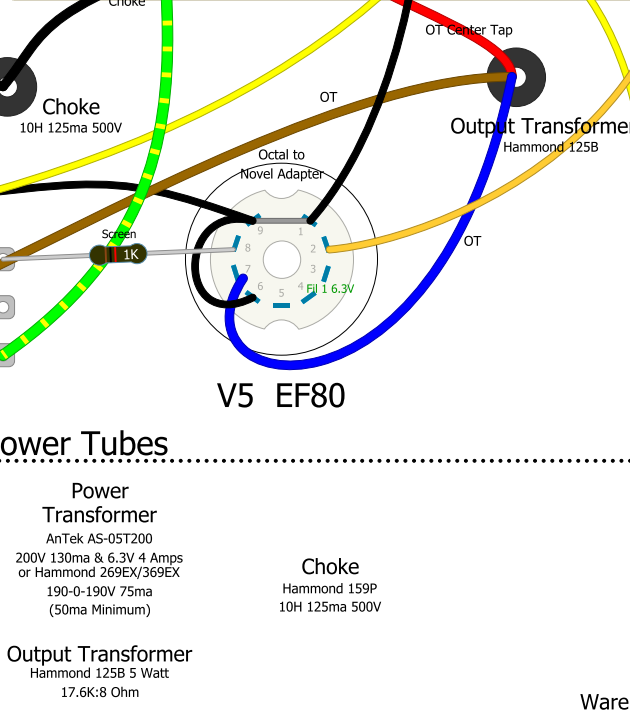
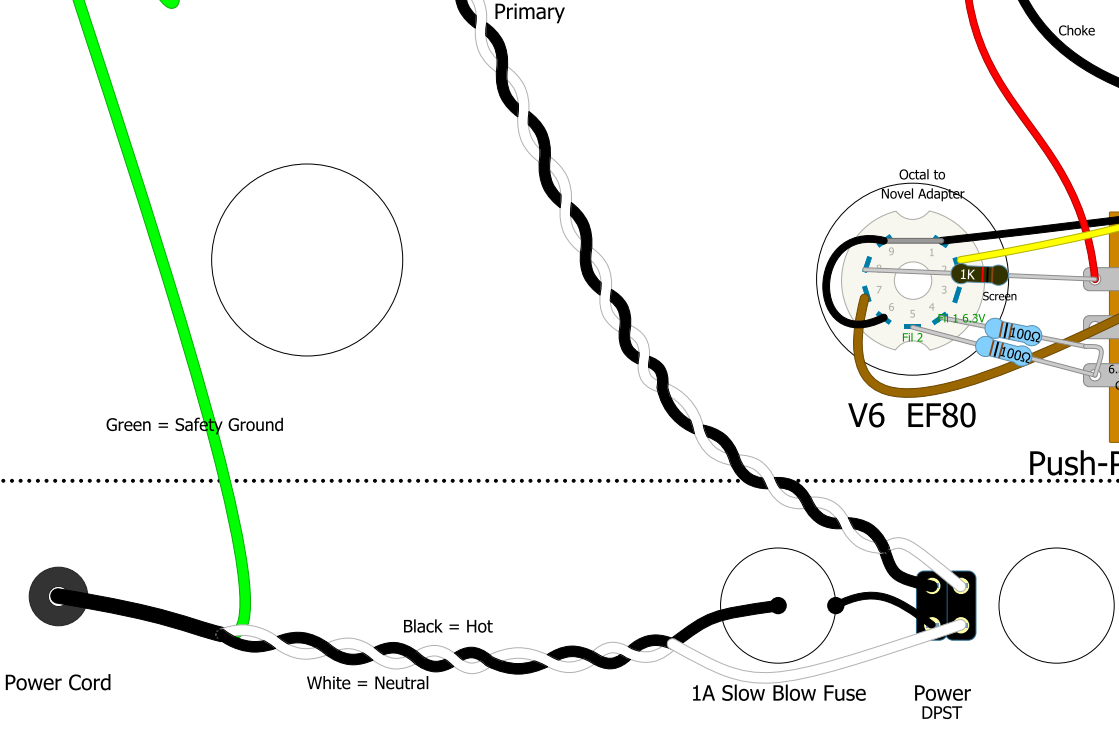
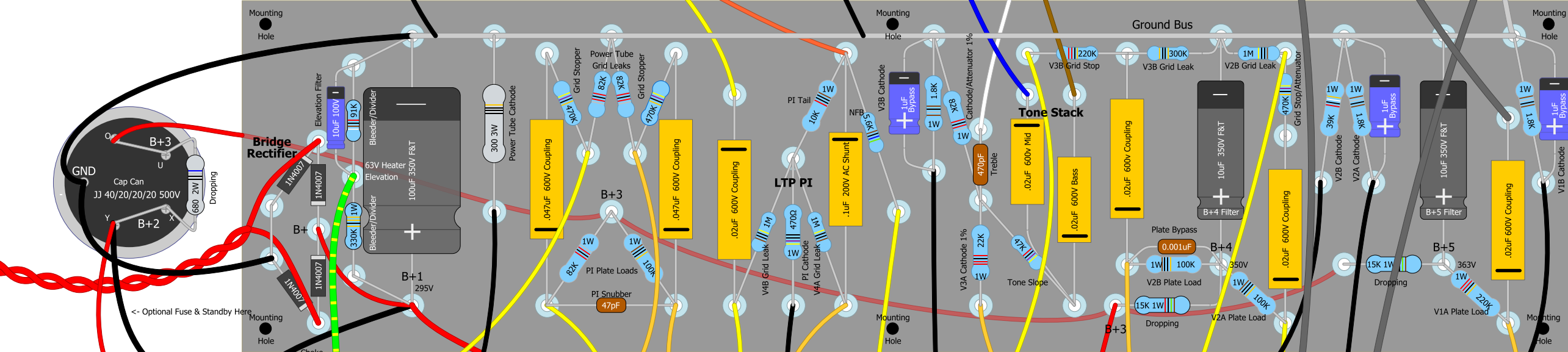
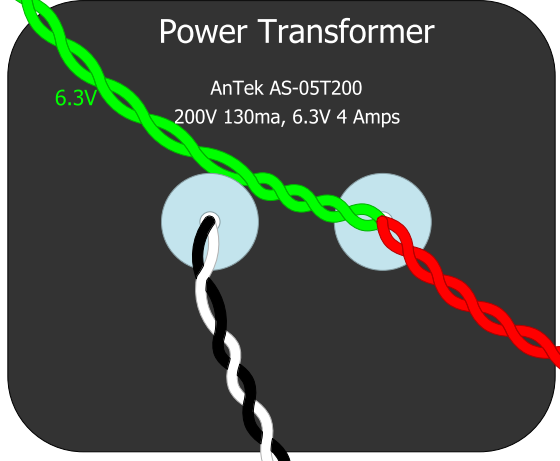
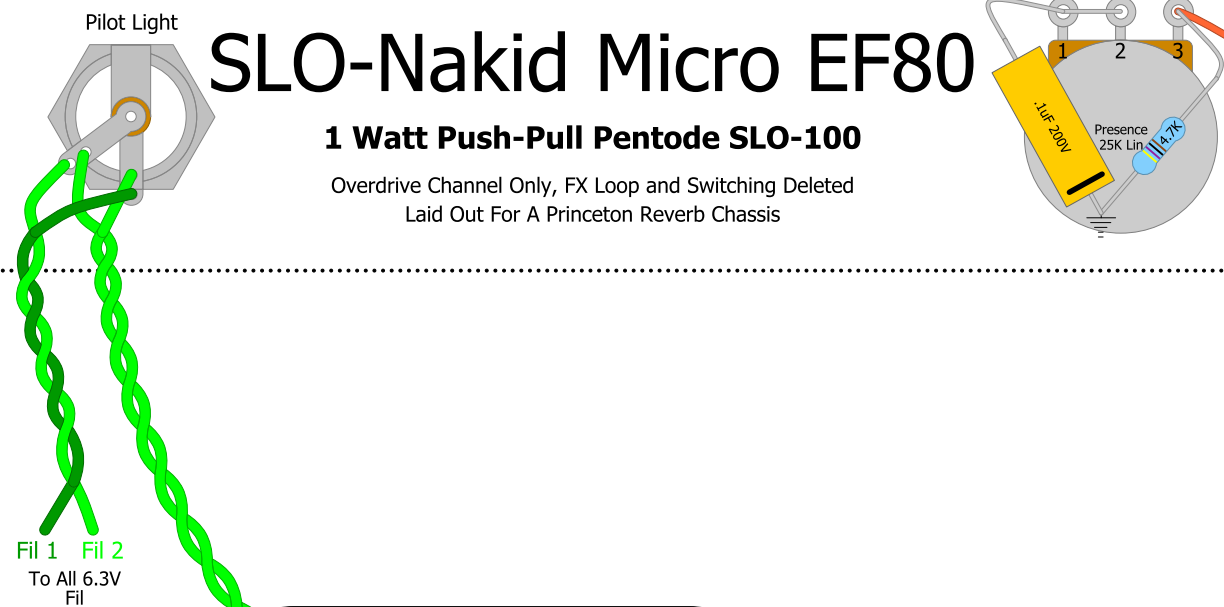


SLO-Nakid Micro EF80

1 Watt Push-Pull Pentode SLO-100

Overdrive Channel Only, FX Loop and Switching Deleted
Laid Out For A Princeton Reverb Chassis



- Power Transformer
AnTek AS-05T200
200V 130ma & 6.3V 4 Amps
or Hammond 269EX/369EX
190-0-190V 75ma
(50ma Minimum)
- Choke
Hammond 159P
10H 125ma 500V
- Output Transformer
Hammond 125B 5 Watt
17.6K:8 Ohm
- Warehouse Guitar Speakers 10" or 12" Green Beret
- 8 Ohm Speaker
- Tip Aux Speaker
- 0.002uF Ceramic Cap
- 470Ω Metal Film
- 470Ω Metal Oxide
- Use Hammond 125B Yellow & Orange Wires for 22.5K:8 ohms
- All resistors 1/2 watt 1% unless specified
- Black line on caps indicates outer foil
- Princeton Reverb Chassis Layout
- See https://robrobinette.com/How_the_Saldano_SLO-100_Works.htm
- A RobRobinette.com modification of the SLO-50 V1.6