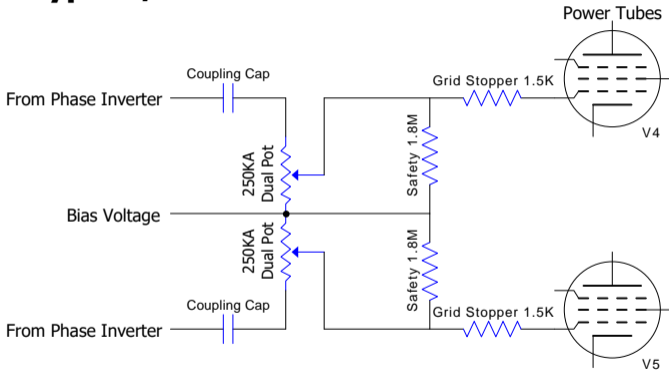


Type-2/Lar-Mar Master Volume



250KA pot + 1.8M resistor = 220K Grid Leak Resistor